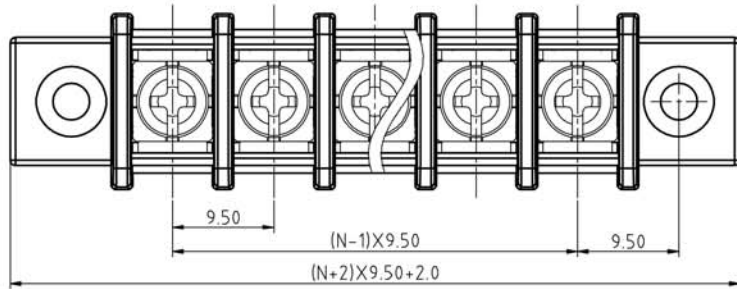
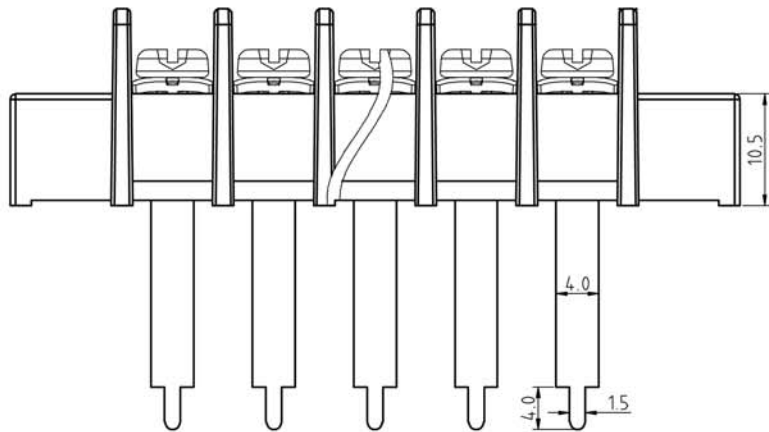


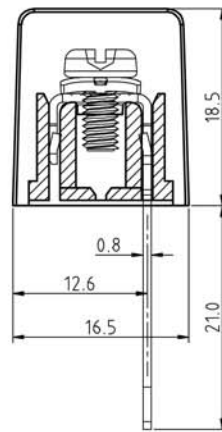
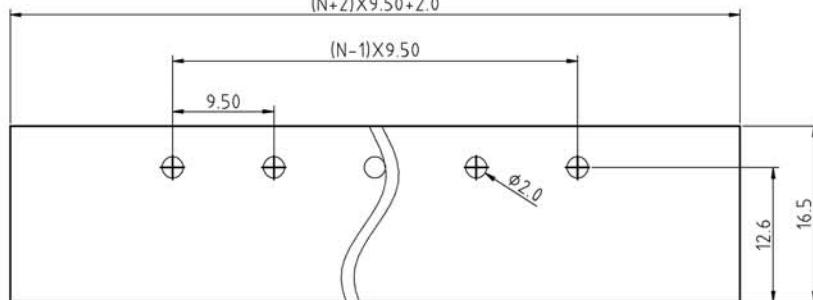
SIGN	DESCRIPTION	DATE	APPROVER



N=Number of contacts



P.C.B LAYOUT  
(N+2)X9.50+2.0



Technical Data:

Material:

Terminals: Copper Alloy, Tin Plated

Terminal screw: Steel galvanized with Cr<sup>3+</sup> plated

Insulator body (housing): Polyamide (Glass filled) (UL94V-0)

Electrical

Voltage rating: 300VAC

Current rating: 25 Amps/way max

Contact resistance: 20m Ω (max)

Withstanding Voltage: 2500VAC(1min) Test time=60sec/1pcs

Wire range: 12-22AWG

Mechanical:

Torque: 10kgf.cm/M3.5

Operating temperature: -40°C to +105°C

Soldering reliability:

Test temperature= 250°C ± 10°C

5 seconds max

Ordering Information:

U111 - B - 9 XX - X X X 0

A Black Pa66  
B Black Pbt

1 With flange  
2 Without flange

1 "-" Screw Cr<sup>3+</sup>  
2 "-/" Screw Cr<sup>3+</sup>  
3 "-" Screw Ni Plated  
4 "-/" Screw Ni Plated

02 2Pin  
To To  
32 32Pin

**WELINK** 上海拓尔普电子科技有限公司  
Welink International Co., LTD.

TOLERANCE	APPROVED:	NAME:
X ±0.50	CHECKED:	U111-B Pitch 9.5mm
X.X ±0.30	DRAWN: Yang Ming 2011,07,15	series With flange
X.XX ±0.20	UNITS: mm	PART NO: U111B9XX21B0
X° ±1°	SCALE: 2 / 1	DWG NO: 9U111B001A
	REV: A	PAGE: 1 / 1