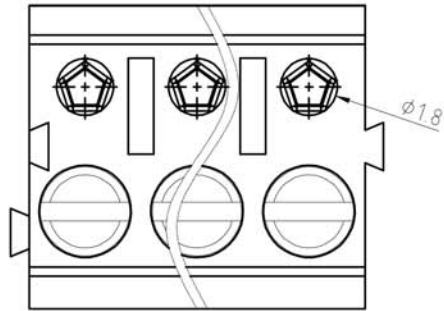
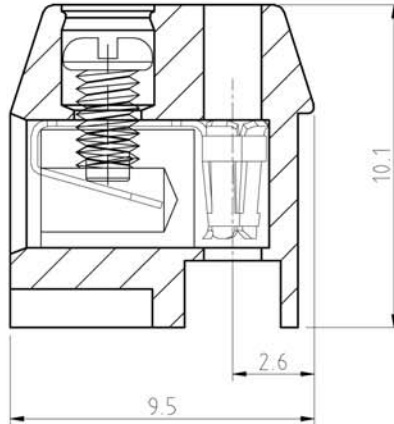
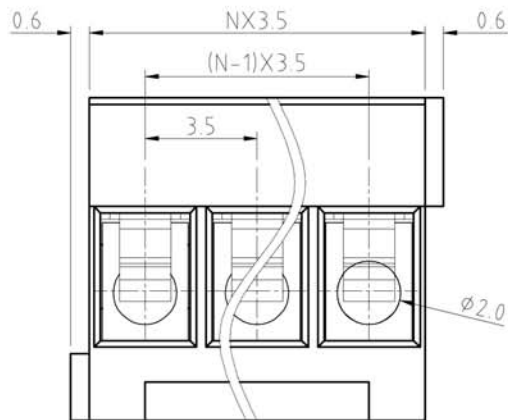


SIGN	DESCRIPTION	DATE	APPROVER



N=Number of contact



Technical Data:

Material:

Contact(metal housing):Copper Alloy with Ni plated
Terminal screw: Steel galvanized with Cr3+ plated
Wire guard: Copper Alloy Tin plated
Insulator body(housing): Polyamide(UL94V-0)

Electrical

Voltage rating: 300VAC
Current rating: 10 Amps/way max
Contact resistance: 20mΩ(max)
Withstanding Voltage: 2500VAC(1min) Test time=60sec/1pcs
Wire range: 16-28AWG
Torque: 2.0kgf.cm/M2.0

Mechanical:

Operating temperature: -40°C to +105°C
Soldering reliability:
Test temperature= 250°C±10°C
5 seconds max

Ordering Information:

F70 - 1 - 3 XX - X 0 0 X 0

2	02	5	Green
-	-	6	Blue
24	24	8	Grey
		A	Black
		1	"-" SCREW
		2	"-/+ " SCREW

WELINK 上海拓尔普电子科技有限公司
Welink International Co.,LTD.

TOLERANCE X ±0.50 X.X ±0.30 X.XX ±0.20 X° ±1°	APPROVED:	NAME: F70 - 1 pitch 3.5mm - series
	CHECKED:	
	DRAWN: Yang Ming 2011,12,12	
	UNITS: mm	REV: A
	SCALE: 6 / 1	PAGE: 1 / 1
		PART NO: F7013XX100X0
		DWG NO: 9F7013001A