

| SIGN | DESCRIPTION | DATE | APPROVER |
|------|-------------|------|----------|
| | | | |
| | | | |

Technical Data:

Material:

Contact(metal housing):Copper Alloy with Ni plated
Terminal screw: Steel galvanized with Cr3+ plated
Wire guard: Copper Alloy Tin plated
Insulator body(housing): Polyamide(UL94V-0)

Electrical

Voltage rating: 300VAC
Current rating: 10 Amps/way max
Contact resistance: 20mΩ(max)
Withstanding Voltage: 2500VAC(1min) Test time=60sec/1pcs
Wire range: 14-26AWG
Torque: 4.0kgf.cm/M2.5

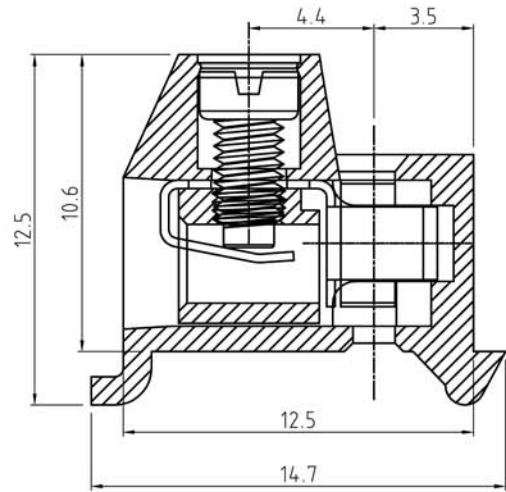
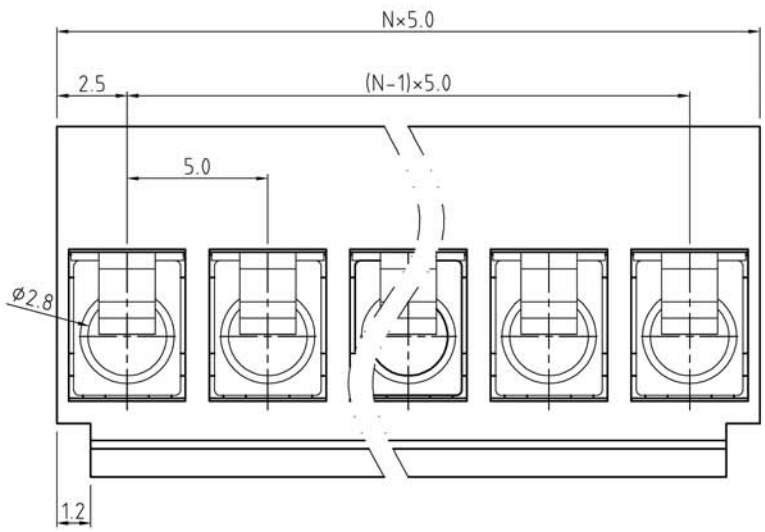
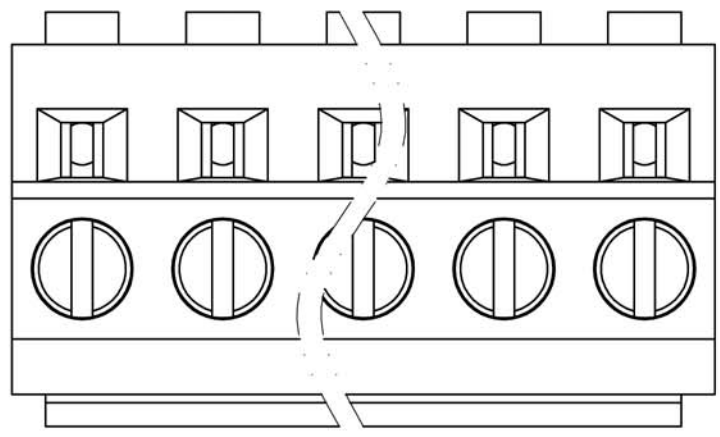
Mechanical:

Operating temperature: -40°C to +105°C
Soldering reliability:
Test temperature= 250°C±10°C
5 seconds max

Ordering Information:

F71 - 5 - 5 XX - X 0 0 X 0

| | | | |
|----|----|---|--------------|
| 2 | 02 | 5 | Green |
| - | - | 6 | Blue |
| 24 | 24 | 8 | Grey |
| | | A | Black |
| | | 1 | "-" SCREW |
| | | 2 | "-/+ " SCREW |



WELINK 上海拓尔普电子科技有限公司
Welink International Co., LTD.

| | | |
|--|---------------------------|--|
| TOLERANCE X: ±0.50 X.X ±0.30 X.XX ±0.20 X° ±1° | APPROVED: | NAME: F71 - 5 pitch 5.0mm - series |
| | CHECKED: | |
| | DRAWN: Ling Yu 2014,02,27 | |
| | UNITS: mm REV: A | PART NO: F7155XX100X0 |
| | SCALE: 5 / 1 PAGE: 1 / 1 | DWG NO: 9F7155001A |