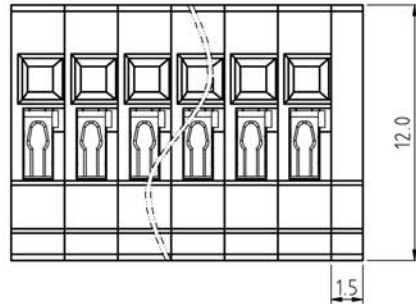
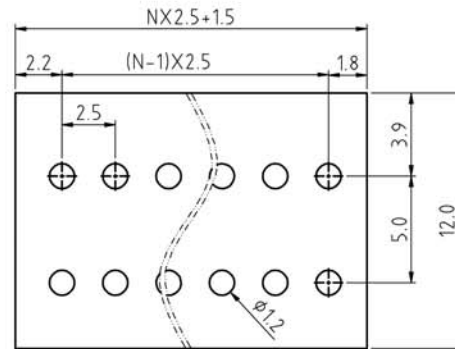


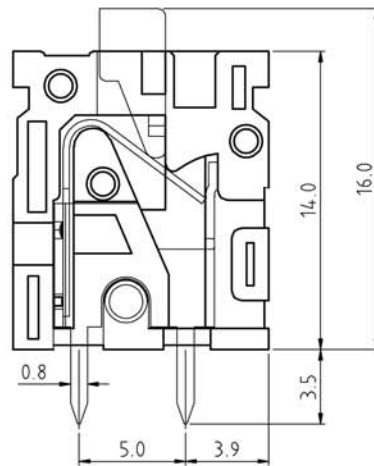
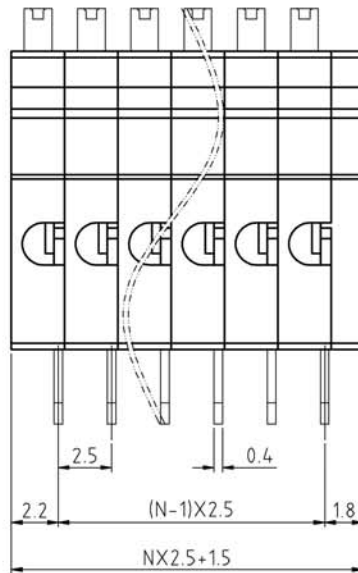
SIGN	DESCRIPTION	DATE	APPROVER



N=Number of contacts



P.C.B. LAYOUT



Technical Data:

Material:

spring clamp : Copper Alloy Tin plated

Wire guard : stainless steel

Insulator body(housing) : Polyamide(Glass filled)(UL94V-0)

Electrical

Voltage rating: 150VAC

Current rating: 2 Amps/way max

Contact resistance: 20mΩ (max)

Withstanding Voltage: 2000VAC(1min) Test time=60sec/1pcs

Wire range: 20-26AWG

Mechanical:

Operating temperature: -40°C to +105°C

Test temperature= 250°C 5 seconds max.

Ordering Information:

F50-05-2 XX-0 0 X 0

- 5 Green
- 6 Blue
- 8 Grey
- A Black
- 2 02
- 4 04
- 20 20

WELINK 上海拓尔普电子科技有限公司
Welink International Co., LTD.

TOLERANCE	APPROVED:	NAME: F50-05 Pitch 2.5mm Series
X ±0.50	CHECKED:	
X.X ±0.30	DRAWN: Yang Ming 2012,06,20	
X.XX ±0.20	UNITS: mm	PART NO: F50052XX00X0
X° ±1°	REV: A	DWG NO: 9F5005201A
⊕	SCALE: 4 / 1	PAGE: 1 / 1