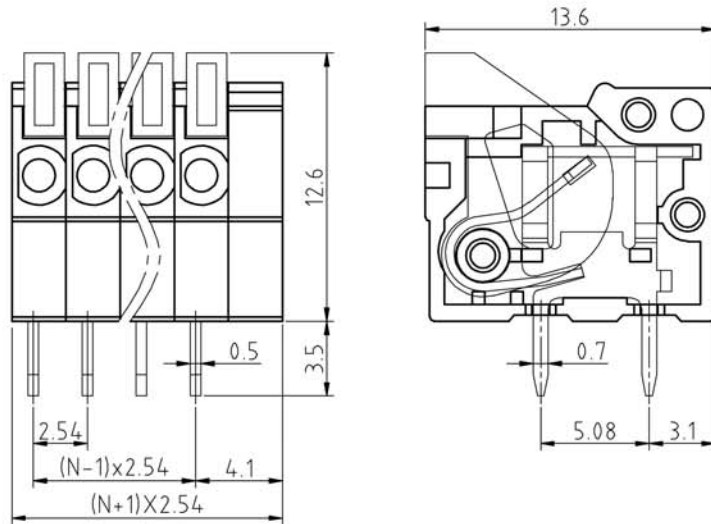
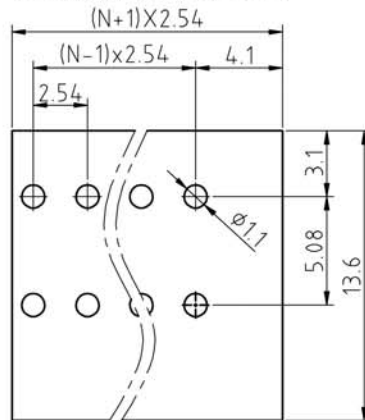


SIGN	DESCRIPTION	DATE	APPROVER



N=Number of contacts



P.C.B. LAYOUT

Technical Data:

Material:

- Wire guard : stainless steel
- Surface of solder tail : Copper Alloy Tin plated
- Insulator body(housing) : Polyamide(Glass filled)(UL94V-0)

Electrical

- Voltage rating: 150VAC
- Current rating: 2 Amps/way max
- Contact resistance: 20m $\Omega$  (max)
- Withstanding Voltage: 2000VAC(1min) Test time=60sec/1pcs
- Wire range: 20-26AWG

Mechanical:

- Operating temperature: -40°C to +105°C
- Test temperature= 250°C 5 seconds max.

Ordering Information:

F50-02-B XX-0 0 X 0

- 5 Green
  - 6 Blue
  - 8 Grey
  - A Black
- 2 02  
4 04  
20 20

**WELINK** 上海拓尔普电子科技有限公司  
Welink International Co., LTD.

TOLERANCE	APPROVED:	NAME:
X $\pm 0.50$	CHECKED:	F50-02 Pitch 2.54mm Series
X.X $\pm 0.30$	DRAWN: Yang Ming 2012,06,20	
X.XX $\pm 0.20$	UNITS: mm REV: A	PART NO: F5002BXX00X0
X° $\pm 1^\circ$	SCALE: 4 / 1 PAGE: 1 / 1	DWG NO: 9F5002001A