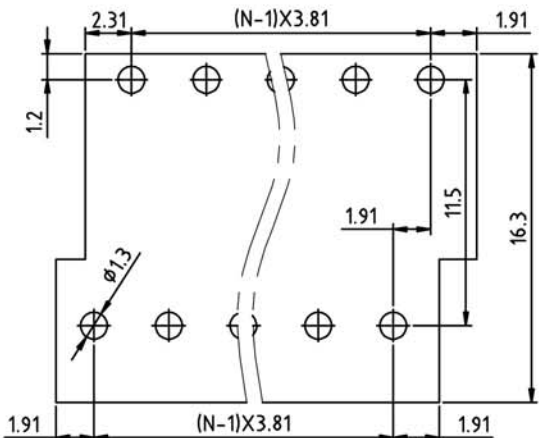


N=Number of contacts

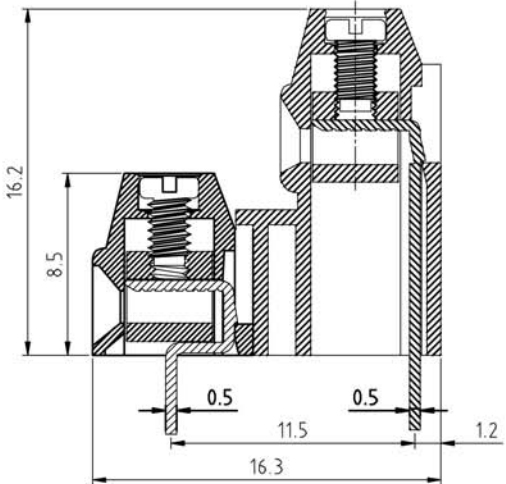
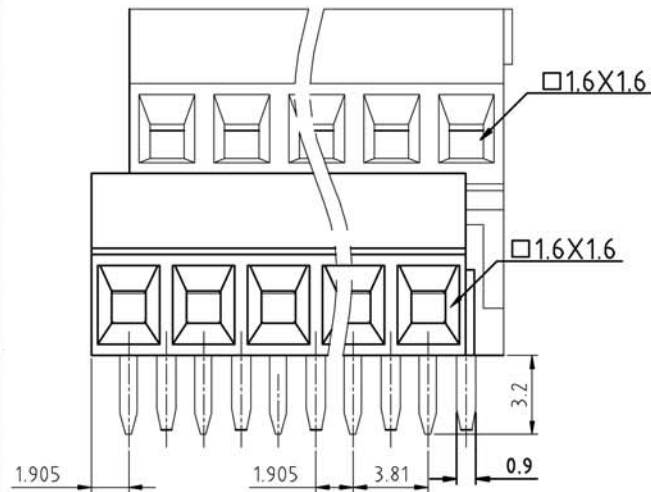
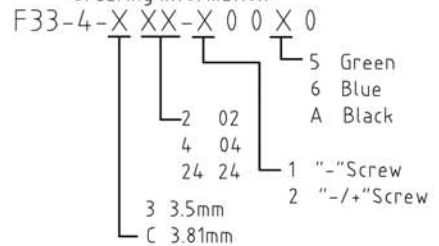


P.C.B. LAYOUT

SIGN	DESCRIPTION	DATE	APPROVER

Technical Data:
 Material:
 -Contact(metal housing): Copper Alloy with Ni plated
 -Terminal screw: Steel galvanized with Cr 3+ plated
 -Solder Pin: Copper Alloy with Tin plated
 -Insulator body(housing): Polyamide(UL94V-0)
 Electrical
 -Voltage rating: 300VAC
 -Current rating: 10 Amps/way max
 -Contact resistance: 20mΩ (max)
 -Withstanding Voltage: 2500VAC(1min) Test time=60sec/1pcs
 -Wire range: 16-30AWG
 Mechanical:
 -Torque: 2kg-cm/M2
 -Operating temperature: -40°C to +105°C
 -Soldering reliability:
 Test temperature= 250°C±10°C
 5 seconds max

Ordering Information:



WELINK 上海拓尔普电子科技有限公司
 Welink International Co.,LTD.

TOLERANCE X. ±0.50 X.X ±0.30 X.XX ±0.20 X° ±1°	APPROVED: CHECKED: DRAWN: Yang Ming 2012.06.20	NAME: F33-4 Pitch 3.81 mm series
UNITS: mm	REV: A	PART NO: F334CXXX00X0
SCALE: 4 / 1	PAGE: 1 / 1	DWG NO: 9F334C001A