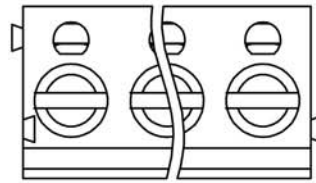
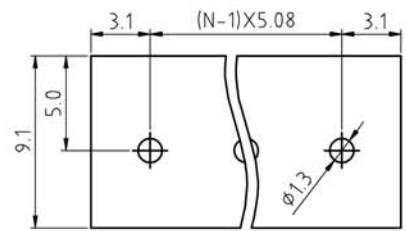
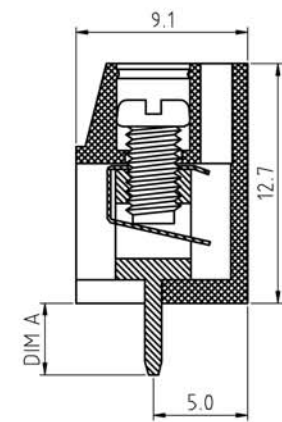
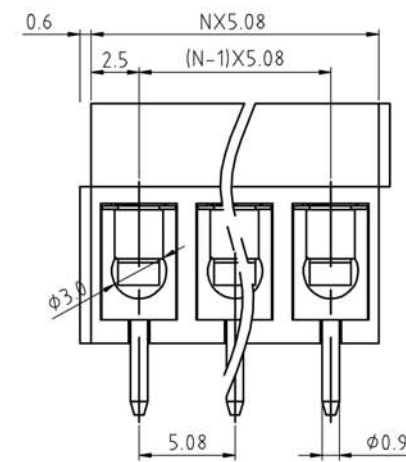


SIGN	DESCRIPTION	DATE	APPROVER



N=Number of contacts



P.C.B. LAYOUT

DIM A	
0	4.2mm
1	3.8mm
2	3.5mm
3	3.2mm
4	2.5mm

Technical Data:

Material:

- Terminal: Copper Alloy Tin plated
- screw: Steel galvanized with Cr3+ plated
- Wire guard: Stainless steel
- Insulator body(housing): Polyamide(UL 94V-0)

Electrical

- Voltage rating: 250VAC
- Current rating: 15 Amps/way max
- Contact resistance: 20mΩ(max)
- Withstanding Voltage: 2500VAC(1min) Test time=60sec/1pcs
- Wire range: 14-24AWG

Mechanical:

- Torque: 4.0kgf.cm/M3.0
- Operating temperature: -40°C to +105°C
- Soldering reliability: Test temperature= 250°C±10°C 10 seconds max

Ordering Information:

- F11-6-E XX-X X 0 X 0
- 2 02
 - 4 04
 - 24 24
 - 1 "-"Screw
 - 2 "-/+Screw
 - 5 Green
 - 6 Blue
 - A Black
 - 0 4.2mm
 - 1 3.8mm
 - 2 3.5mm
 - 3 3.2mm
 - 4 2.5mm

WELINK 上海拓尔普电子科技有限公司
Welink International Co.,LTD.

TOLERANCE	APPROVED:	NAME:
X: ±0.50	CHECKED:	F11-6 Pitch 5.08mm
X.X ±0.30	DRAWN: Yang Ming 2012,06,20	-Series
X.XX ±0.20	UNITS: mm	REV: A
X° ±1°	SCALE: 3 / 1	PAGE: 1 / 1
⊙	△	PART NO: F116E001A
		DWG NO: 9F116E001A