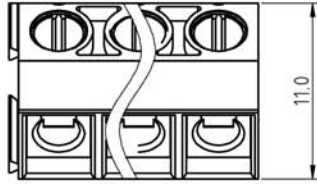
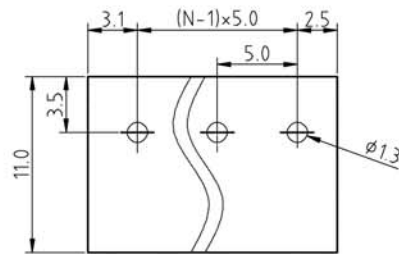
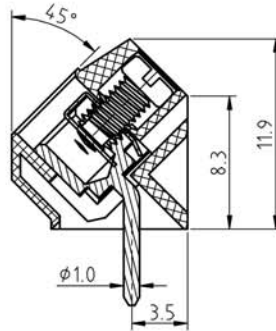
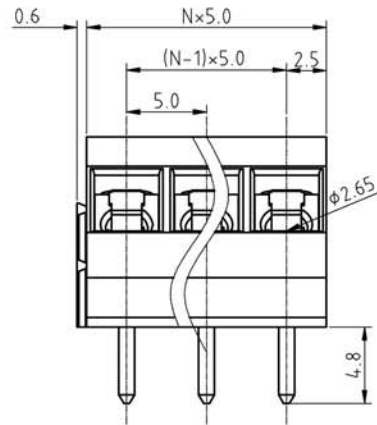


SIGN	DESCRIPTION	DATE	APPROVER



N=Number of contacts



P.C.B LAYOUT

Technical Data:

Material:

Terminal: Copper Alloy Tin plated
 screw: Steel galvanized with Cr3+ plated
 Wire guard: Stainless steel
 Insulator body(housing): Polyamide(UL94V-0)

Electrical

Voltage rating: 300VAC
 Current rating: 15 Amps/way max
 Contact resistance: 20mΩ(max)
 Withstanding Voltage: 2500VAC(1min) Test time=60sec/1pcs
 Wire range: 14-22AWG

Mechanical:

Torque: 4.0kgf.cm/M2.6
 Operating temperature: -40°C to +105°C
 Soldering reliability:
 Test temperature= 250°C±10°C
 5 seconds max

Ordering Information:

F14 - 2 - 5 XX - X 0 0 X 0

2 02 | 5 Green
 - - | 6 Blue
 24 24 | 8 Grey
 | A Black

1 "-" SCREW
 2 "-/+" SCREW

WELINK 上海拓尔普电子科技有限公司
 Welink International Co., LTD.

TOLERANCE	APPROVED:	NAME: F14 - 2 - pitch 5.0mm
X: ±0.50	CHECKED: TONY 2012,07,25	- series
X.X ±0.30	DRAWN: Yang Ming 2012,07,25	
X.XX ±0.20	UNITS: mm	REV: A
X° ±1°	SCALE: 3 / 1	PAGE: 1 / 1
		PART NO: F1425XX100X0
		DWG NO: 9F1425001A