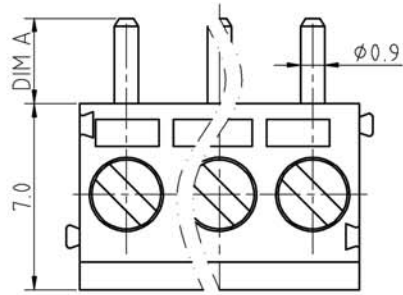


SIGN	DESCRIPTION	DATE	APPROVER



NOTE	
DIMA	Left
0	4.4
1	3.2

Technical Data:

Material:

Contact(metal housing): Copper Alloy
Terminal screw: Steel galvanized and with Cr3+ plated
Wire guard: Stainless steel
Surface of solder tail: tin plated
Insulator body(housing): Polyamide(Glass filled)(UL94V-0)

Electrical

Voltage rating: 150VAC
Current rating: 10 Amps/way max
Contact resistance: 20mΩ(max)
Insulation resistance: 5000M Ω /1000V
Withstanding Voltage: 1500VAC(1min) Test time=60sec/1pcs
Wire range: 16-26AWG

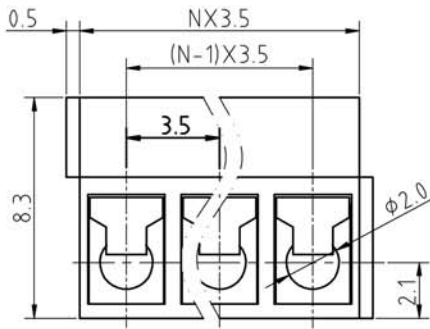
Mechanical:

Torque: 2.0kg-cm/M2
Operating temperature: -40°C to +105°C
Soldering reliability:
Test temperature= 250°C±10°C/5 seconds max

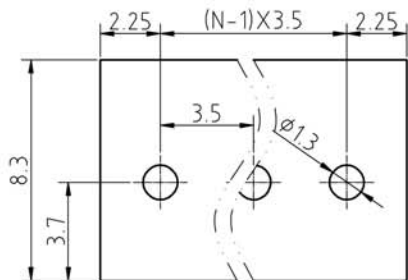
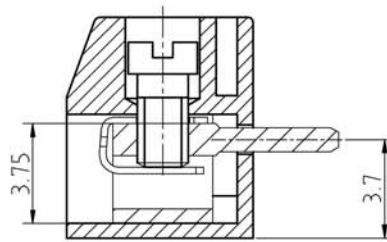
Ordering Information:

F13-2-3 XX-X X 0 X 0

2	02	5	Green
4	04	6	Blue
24	24	A	Black
		0	4.4mm
		1	3.2mm
		1	"-"Screw
		2	"-/+Screw



N=Number of contacts



P.C.B. LAYOUT

WELINK 上海拓尔普电子科技有限公司
Welink International Co., LTD.

TOLERANCE	APPROVED: BILL 2008,09,27	NAME: F13-2 Pitch 3.5mm series
X ±0.50	CHECKED: BILL 2008,09,27	
X.X ±0.30	DRAWN: TONY 2008,09,27	
X.XX ±0.20	UNITS: mm	PART NO: F1323XX1X0X0
X° ±1°	REV: A	DWG NO: 9F1323101A
⊕	SCALE: 5 / 1	PAGE: 1 / 1