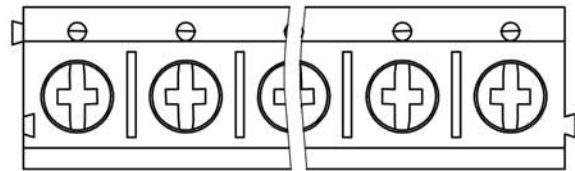
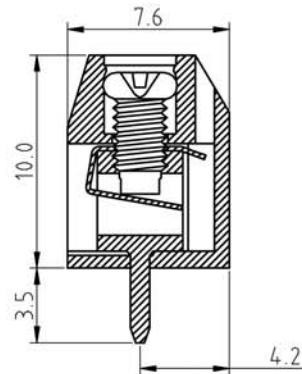
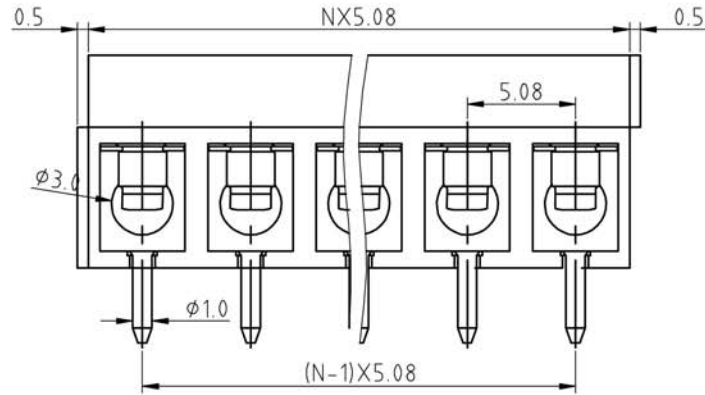
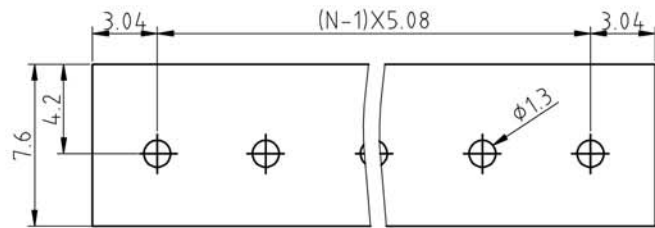


SIGN	DESCRIPTION	DATE	APPROVER



N=Number of contacts



P.C.B. LAYOUT

Technical Data:

Material:

Terminal: Copper Alloy Tin plated
 screw: Steel galvanized with Cr3+ plated
 Wire guard: Stainless steel
 Insulator body(housing): Polyamide(UL94V-0)

Electrical

Voltage rating: 250VAC
 Current rating: 15 Amps/way max
 Contact resistance: 20mΩ(max)
 Withstanding Voltage: 2500VAC(1min) Test time=60sec/1pcs
 Wire range: 14-24AWG

Mechanical:

Torque: 4.0kgf.cm/M2.5 Operating temperature: -40°C to +105°C

Soldering reliability:

Test temperature= 250°C±10°C
 5 seconds max

Ordering Information:

F11 - 2 - E XX - X 0 0 X 0

2	02	5	Green
-	-	6	Blue
24	24	8	Grey
		A	Black
		1	"-" SCREW
		2	"-/+ " SCREW

WELINK 上海拓尔普电子科技有限公司
 Welink International Co.,LTD.

TOLERANCE	APPROVED:	NAME: F11 - 2 - pitch 5.08mm - series
X ±0.50	CHECKED:	
X.X ±0.30	DRAWN: Yang Ming 2012,06,20	
X.XX ±0.20	UNITS: mm	REV: A
X° ±1°	SCALE: 4 / 1	PAGE: 1 / 1
		PART NO: F112EXX200X0
		DWG NO: 9F112E001A